

4860 NEPTUNE

Dimensions: 48"L x 60"W

BILL TO: _____ **Cust #:** _____
PHONE: _____ **FAX:** _____
SHIP TO: _____ **PHONE:** _____
ADDRESS: _____ **CITY:** _____ **STATE:** _____ **ZIP:** _____
ORDER DATE: _____ **SHIP DATE:** _____ **P.O. #:** _____
PHONE #: _____ **FAX #:** _____
SPECIAL INSTRUCTIONS: _____

CHOOSE YOUR BATH

LIST PRICE

DISCOUNTED PRICE

<input type="checkbox"/> 4860N Soaking Tub \$1,415.00	\$ _____
<input type="checkbox"/> 4860NW Whirlpool with pneumatic on/off, 1.5 HP pump \$3,235.00	\$ _____
<input type="checkbox"/> 4860NA Air Tub Air bath with electronic Controls, 1 HP Air Induction Blower with Heater, Chromatherapy, Aromatherapy \$3,790.00	\$ _____
Electronic Controls: <input type="checkbox"/> Polished Brass #0451435 <input type="checkbox"/> Polished Chrome #0451433 <input type="checkbox"/> Brush Nickel #0451434 N/C	

CHOOSE YOUR OPTIONS

LIST PRICE

DISCOUNTED PRICE

COLORS			
Standard Color:	<input type="checkbox"/> White <input type="checkbox"/> Bone <input type="checkbox"/> Almond <input type="checkbox"/> Biscuit <input type="checkbox"/> Linen	INCLUDED ..	
<input type="checkbox"/> Designer Color	(Please write in color) _____	\$270.00	\$ _____
ON/OFF CONTROL		INCLUDED ..	
<input type="checkbox"/> Pneumatic Controls		\$285.00	\$ _____
<input type="checkbox"/> Atlantis Touch :	<input type="checkbox"/> Polished Chrome #045136 <input type="checkbox"/> Clear #0451437 <input type="checkbox"/> Brush Nickel #0451438	\$810.00	\$ _____
<input type="checkbox"/> Atlantis Touch Plus (Electronic Control Pump / Blower / Light) :	<input type="checkbox"/> Polished Chrome #0451441 <input type="checkbox"/> Polished Brass #0451440 <input type="checkbox"/> Brush Nickel #0451439	\$395.00	\$ _____
HEATER			
<input type="checkbox"/> H.E.E.T. (Inline Maintenance Heater) #0461205		\$375.00	\$ _____
TRIM KIT		\$635.00	\$ _____
<input type="checkbox"/> Whirlpool/Air	<input type="checkbox"/> Polished Chrome #092250ACH <input type="checkbox"/> Polished Brass #092250ABR <input type="checkbox"/> Brush Nickel #092250ABN	\$230.00	\$ _____
HANDLE (Pairs)	<input type="checkbox"/> Polished Chrome #0560040 <input type="checkbox"/> Polished Brass #0560041 <input type="checkbox"/> Brush Nickel #0560042	\$300.00	\$ _____
CABLE OPERATED WASTE & OVERFLOW			
<input type="checkbox"/> Polished Chrome #0561122 <input type="checkbox"/> White #0561123 <input type="checkbox"/> Biscuit #0561125 <input type="checkbox"/> Almond/Bone #0561124		\$255.00	\$ _____
<input type="checkbox"/> Polished Brass #0561126		\$285.00	\$ _____
<input type="checkbox"/> Brush Nickel #0561127		\$355.00	\$ _____
MISCELLANEOUS			
<input type="checkbox"/> Mood Light	#ML2010KIT	\$245.00	\$ _____
<input type="checkbox"/> Chromatherapy Light	#CHTL2010KIT	\$575.00	\$ _____
<input type="checkbox"/> Ozonator	#0570400	\$465.00	\$ _____
<input type="checkbox"/> Air System	#0920001 (Available Only On Whirlpool)	\$1125.00	\$ _____
<input type="checkbox"/> Air System with Aromatherapy	#0925001 (Available Only On Whirlpool)	\$1400.00	\$ _____
<input type="checkbox"/> Pillow (Add-On Style)	<input type="checkbox"/> Black #0532049	\$85.00	\$ _____
<input type="checkbox"/> Tile Flange Add-on kit (Factory Installed) #AT/F		\$120.00	\$ _____
<input type="checkbox"/> Tub Liner #AT/F		\$125.00	\$ _____
AROMATHERAPY SCENTS (BOX OF 10)			
<input type="checkbox"/> Tropical Citrus #0622507 <input type="checkbox"/> Vanilla #0622523 <input type="checkbox"/> Cool Mint #0622505 <input type="checkbox"/> Eucalyptus #0622526		\$100.00	\$ _____
<input type="checkbox"/> Joie de Lavender #0622506 <input type="checkbox"/> Melon #0622525 <input type="checkbox"/> Orange #0622508 <input type="checkbox"/> Wild Berry #0622524			\$ _____
SKIRTS			
<input type="checkbox"/> Front Skirt One Piece	#0924015 Specify Drain Location: <input type="checkbox"/> RH _____ <input type="checkbox"/> LH _____	\$495.00	\$ _____
<input type="checkbox"/> Front Skirt with Access Panel	#0924012 Specify Drain Location: <input type="checkbox"/> RH _____ <input type="checkbox"/> LH _____	\$590.00	\$ _____
<input type="checkbox"/> Factory Installed	#INST MSC	\$121.00	\$ _____
<input type="checkbox"/> Designer Color	(Please Write in Color) _____	\$270.00	\$ _____

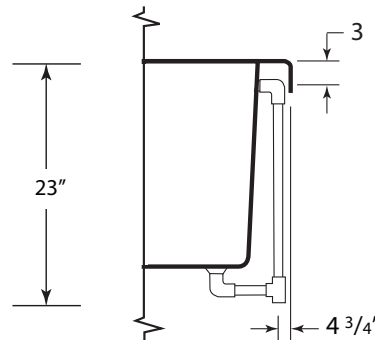
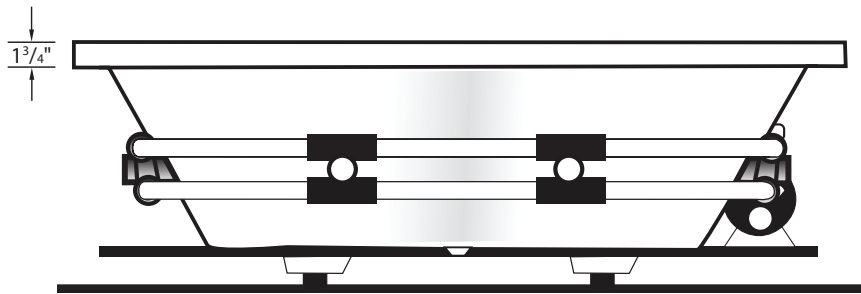
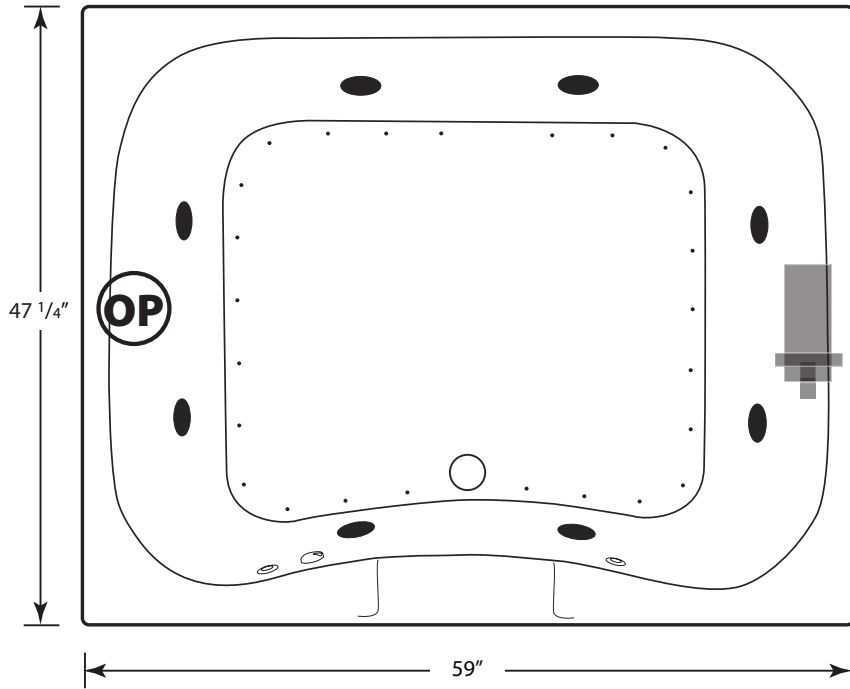
Residential Delivery (Add \$75.00):	\$ _____
Residential Delivery Exceeding 50 miles (\$150.00): +	\$ _____

ORDER TOTAL:

NEPTUNE 4860NW

S P E C I F I C A T I O N S

• All dimensions are plus or minus 1/4" (Maximum Tolerance)



DRAWING NOT TO SCALE

- MODEL:** 4860NW
- SIZE:** 47 1/4" X 59"
- EST. BOXED WEIGHT:** 140 lbs. (TUB ONLY)
- EST. BOXED WEIGHT:** 175 lbs. (WHIRLPOOL OR AIR)
- EST. BOXED WEIGHT:** 222 lbs. (WHIRLPOOL w/AIR)
- BOXED SIZE:** 51" X 66" X 28"
- AVERAGE FILL (gallons):** 65
- PUMP SIZE:** 1.5 HP
- BLOWER:** 1.0 HP
- ELECTRICAL:** 110V 20 AMP CIRCUIT
- MATERIAL:** Acrylic reinforced fiberglass
- Standard Colors:** White, Bone, Almond, Biscuit, Sterling Silver, Linen
- Standard Features:** Air Switch
- Jets:** 8 Star Jets
- Air Controls:** 2
- Suction Fittings:** 1
- Air Injectors:** 26

Interior Depth	Interior Length Top	Interior Width Top	Interior Length Bottom	Interior Width Bottom
19	55 1/2	39 1/2	41	32 1/2



ANSI-Z.124.1
ASME-A.112.19.7

OP OPTIONAL PUMP LOCATION



STANDARD PUMP LOCATION